

Control Panel Interface Series

The Partitioner

262B Door-Gard Self-Contained Two Zone Control

The Partitioner 262B Door-Gard is a self-contained two-zone control system. A Form-C alarm relay ties in easily to any standard alarm zone creating an independent sub-system. The Partitioner is the perfect choice for office suites, apartments, strip malls or any place individual zone control is desired.

- 16 User Codes (arm/disarm or arm only)
- Keypad Programmable
- Non-Volatile EEPROM Memory
- Programmable Entry/Exit Delay Periods
- Form-C 1 Amp Alarm Relay
- Built-In Siren Driver
- Pre-Alarm Sounder
- Perimeter Zone
- Interior Zone
- At Home Arming
- Unique *Touch Shunt* Mode
- Programmable Alarm Recycle Time
- Programmable Panic
- Loop Status and Armed LED's
- Contemporary Plastic Housing
- Alarm Memory by Zone
- Keypad Backlighting

System Defaults

The Partitioner is designed for easy installation in a minimum amount of time. The following default values are factory programmed:

Exit Delay	60 seconds
Perimeter Entry Delay (Zone 1)	30 seconds
Interior Entry Delay (Zone 2)	30 seconds
Alarm Recycle Time	3 minutes
Panic Input	Off
Audible Key Press	On
Relay State (when not in alarm)	Energized (supervised)

Upon alarm condition, the relay changes state and the siren driver output energizes.

If it is necessary to change any of these default values, please refer to the *Programming Options Chart* after you are familiar with the programming section.

Memory

Non-Volatile EEPROM memory means programmed information won't be lost if power is removed.

Programming

All programming is accomplished entirely from the front of the keypad. LED guidance makes programming easy and changing codes takes a matter of seconds for an authorized user.

Codes

The Partitioner allows up to 16 valid individual user codes. Codes can be from 1 to 6 digits in length and digits can be repeated.

Arming Interlock

The Partitioner cannot be armed if a zone is unsafe (open). The sounder signals three short beeps to indicate this condition.

At Home Arming

When At Home Arming is activated, the interior zone (zone 2) is automatically shunted. At Home Arming is activated by pressing the # key within 5 seconds of arming. At Home Arming is indicated by both red and green LED's lighting when the systems are armed.

Touch Shunt

The perimeter zone (zone 1) can be shunted by pressing and holding any key while the Partitioner is armed. If the key is released while the perimeter zone is violated, the Partitioner triggers the alarm instantly, bypassing the entry delay.

Alarm Memory/Loop Status

Pressing and holding the 1 or 2 keys for 2 seconds indicates the current status and memory of the corresponding zone (1 = zone 1 and 2 = zone 2). The sounder beeps twice to acknowledge a key hold down. The red LED lights if an alarm has occurred on that zone. The green LED lights if the zone is closed. Alarm memory is cleared by pressing and holding the 0 until the sounder beeps twice. Alarm memory can only be indicated when the Partitioner is disarmed.

Panic

The Partitioner has the ability to trigger an instant alarm when the * and # keys are pressed simultaneously. Panic operates regardless of whether or not the Partitioner is armed. Panic triggers both the alarm and siren driver. This feature is defaulted to off from the factory, but can be turned on through the *Programming Options Chart*. Panic is reset by entering a valid arm/disarm code.

Getting Started Testing the System

1. Close perimeter loop (zone 1).
2. Close interior loop (zone 2).
3. Connect the positive (+) lead of your 12 Volt DC power supply to the terminal strip (TS1) +V input on the Partitioner.
4. Connect the negative (-) lead of your 12 Volt DC power supply to the terminal strip (TS1) -V input on the Partitioner.
5. Turn on your power supply. The Partitioner flashes all LED's for 2 seconds, then enter normal operating mode.
6. Enter *Self-Test Mode* by pressing 7890#123456*. The LED's light sequentially and the keypad is now in *Self-Test Mode*.
7. Open each loop one at a time. The sounder sounds continuously as long as loop is open. Close each loop after testing.
8. Once you've verified proper operation, press any key to exit *Self-Test Mode*.

Note: You can program the keypad in your shop or at the installation site. Programmed information is stored in non-volatile memory and won't be lost if power is removed.

LED Indications

Green LED: Loop Status

- On = Loops closed (safe to arm)
- Off = Loop(s) open (won't arm)

Red LED: Armed/Alarm Memory

- On = System Armed
- Off = System Disarmed
- Flashing = System is (or was) in alarm

Red and Green LED's Together

- On = System Armed (At Home Mode)

Yellow LED

- Rapid Flash = Entry Delay Warning
- Note:** The yellow Led is also used during program mode.

Programming User Codes¹

<u>Operation</u>	<u>Yellow LED</u>
1. Enter Programming Mode	
Press 99# (master code)* ²	Flashes Slow
2. Change Master Code³	
Press 1# (enter master code)*	Flashes Fast
Press (enter master code)*	Flashes Slow
3. Add/Change Second Code	
Press 2# (enter user code)*	Flashes Fast
Press (enter user code)*	Flashes Slow
4. Add Change Third Code	
Press 3# (enter user code)*	Flashes Fast
Press (enter user code)*	Flashes Slow
5. You can add up to 16 codes in this fashion.	
6. Exit Programming Mode	
Press *	Off

¹ Codes can be 1 to 6 digits in length.

²The master code is defaulted to 1234 and allows access to programming mode.

³The master code is always user #1.

Notes:

If the master code is forgotten or does not work, momentarily press the SW1 programming switch to enter program mode. SW1 is located on the front of the circuit board below the S1 keypad connector and can be accessed by removing the keypad from the front. DO NOT REMOVE THE KEYPAD RIBBON CABLE.

If the red LED turns on during programming mode, a programming error has occurred. Press * to clear the error and continue programming.

Programming Options Chart

Operation

1. Enter Programming Mode
2. Add/Change User Code
3. Delete User Code
4. Enter Arm Only Code
5. Set Entry Delays
(1 to 90 seconds or 0 for instant)
 Perimeter Zone
 Interior Zone
6. Set Exit Delay
(1 to 90 seconds or 0 for instant)
7. Set Alarm Recycle Time
(Enter 1 to 90 for 10 to 900 seconds)
8. Turn Audible Keypress Feedback On
9. Turn Audible Keypress Feedback Off
10. Relay Energized Upon Power-Up (supervised)
11. Relay De-energized Upon Power-Up
12. Turn Panic Feature On
12. Turn Panic Feature Off
13. Erase Keypad Memory/Reset Defaults
14. Exit Programming Mode

Key Sequence

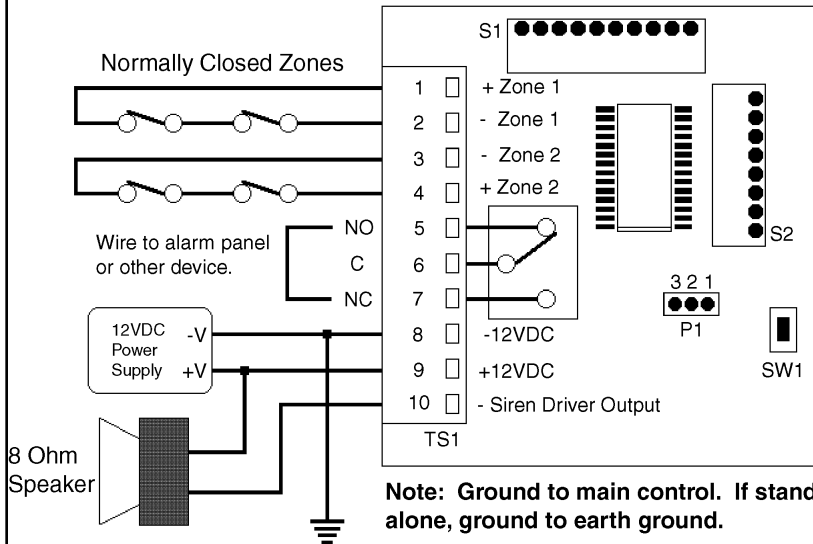
- 99 # (master code) *
- (user location) # (enter code) * (repeat code) *
- (user location) # * *
- 0 # (user location) # (enter code) * (repeat code)*
-
- 80 # (time) # 0 # * *
- 81 # (time) # 0 # * *
- 82 # (time) # 0 # **
-
- 84 # (time) # 0 # * *
-
- 30 # 1 # 1 # * *
- 30 # 1 # 0 # * *
- 30 # 2 # 1 # * *
- 30 # 2 # 0 # * *
- 30 # 3 # 1 # * *
- 30 # 3 # 0 # * *
- 46 # 00000 # 00000 # * * *
- *

Installation and Wiring

Notes:

1. Locate the Partitioner in a convenient place with access for wiring.
2. If Touch Shunt feature is used, locate Partitioner near desired shunt opening.
3. To enable backlighting put P1 jumper on pins 1 & 2. To disable put the jumper on pins 2 & 3.
4. To tamper Partitioner use IEI tamper switch (Part# 020-0282) or equivalent.

Zone 1 is the Perimeter Zone.
Zone 2 is the Interior Zone.



Note: The relay is shown in an energized (supervised), no alarm state.

Specifications

- Operation Voltage: 10.5 – 16 VDC
- Ripple: 0.5 Volts_{p-p}
- Alarm Relay: 1 Amp Form-C
- Power Consumption: 32mA @ 10.5VDC
50mA @ 16VDC
Avg. 800mA w/ siren
1500mA peak
- Siren Driver: 8Ω (ohm) speaker sweep
9 Watts avg. at 12 Volts
18 Watts peak at 12 Volts
- Size: 2.75W x 4.5"H x 1.5"D
- Loops: 300Ω (ohms) maximum
- Loop Response: 300 milliseconds typical
- Temperature: -20°F to 130°F (-28°C to 54°C)

Installer/Service Company Contact Info:

Company Name: _____

Company Telephone: _____

Technical Support – Installation/Service Company

To contact Linear/IEI's Technical Support Department, call 1-800-421-1587,
between 5AM and 430PM (PST) Monday thru Friday.

Questions may also be submitted through our website, www.Linearcorp.com

Technical Support – End User

Please contact your Installation/Service Company.

Warranty Policy

Linear Limited Warranty

This Linear product is warranted against defects in material and workmanship for twenty four (24) months. This warranty extends only to wholesale customers who buy direct from Linear or through Linear's normal distribution channels. Linear does not warrant this product to consumers. Consumers should inquire from their selling dealer as to the nature of the dealer's warranty, if any. **There are no obligations or liabilities on the part of Linear LLC for consequential damages arising out of or in connection with use or performance of this product or other indirect damages with respect to loss of property, revenue, or profit, or cost of removal, installation, or reinstallation.** All implied warranties, including implied warranties for merchantability and implied warranties for fitness, are valid only until the warranty expires. **This Linear LLC Warranty is in lieu of all other warranties express or implied.** All products returned for warranty service require a Return Product Authorization Number (RPA#). Contact Linear Technical Services at 1-800-421-1587 for an RPA# and other important details.

Warranty Periods Are:

- 1 Year PowerKey
- 2 Years Door Gard & Secured Series Products
- 2 Years LS Series
- 2 Years Glass Break
- 5 Years 'e' Series Keypads

All products have date code labeling to determine the warranty period.

A 90-day grace period is added to all products to account for shelf life.



MADE IN CHINA