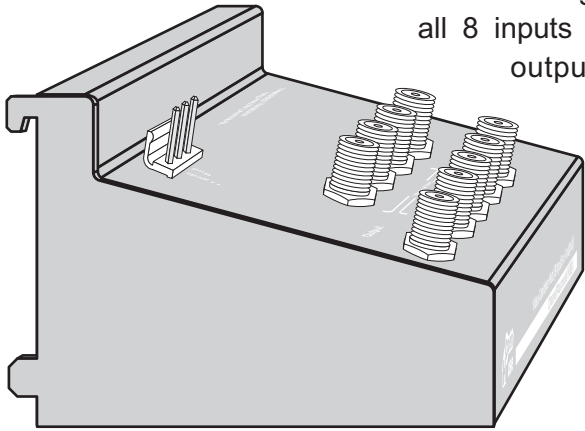


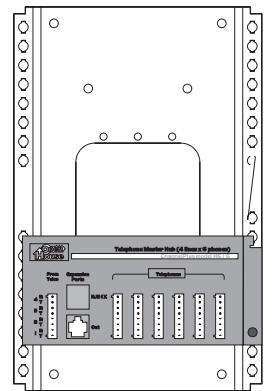
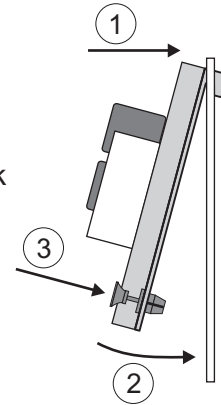
ChannelPlus Modulator Combiner Hub

The H881 modulator combiner hub has inputs for 8 modulators for distribution through a coax panel. Signals from all 8 inputs are combined into a single output. This output can be connected to the modulator input of a coax panel such as the H838HHR or H838BID. When used with the H838, each of 8 locations has a broadband feed as well as the ability to insert channels into the system.

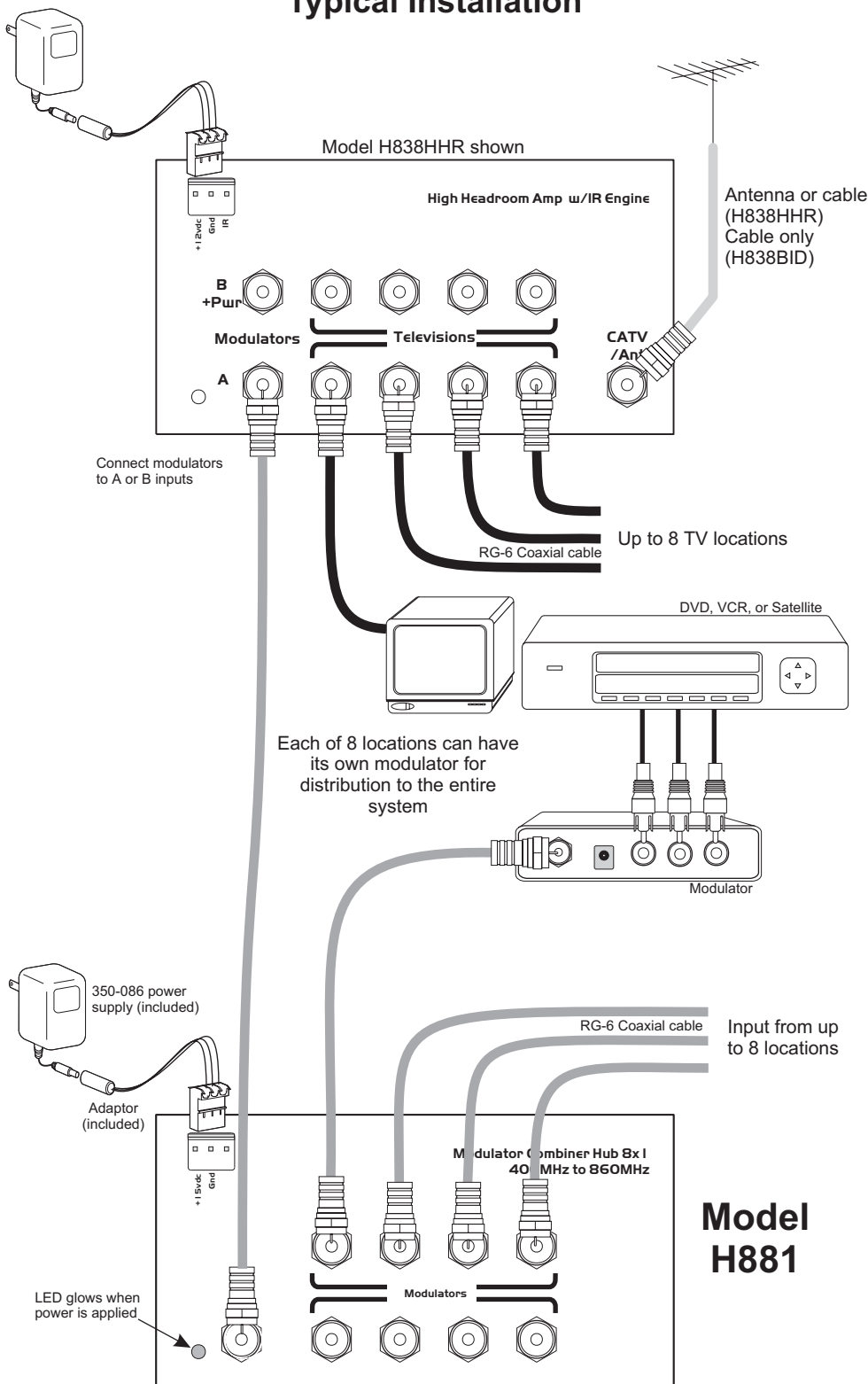


OpenHouse™ modules attach from the top

- 1) Hook from the top
- 2) Swing into place
- 3) Push button to lock



Typical Installation



Things To Watch For:

No picture ... Check that the TV and the modulator are tuned to the same channel. For example, if the modulator is broadcasting on UHF channel 16, make sure the TV is on UHF 16 rather than CATV 16. UHF 16 and CATV 16 are at different frequencies.

Weak ChannelPlus UHF channel ... If the TV has a separate UHF input, be sure that it is connected.

Herringbone interference on modulator channel (diagonal lines): You may have chosen a channel number that is not completely vacant. Distant UHF stations may not be watchable, but will cause interference if you try to create a new channel at the same frequency. Also, cable companies often have extra signals where there should be none. Try moving the modulator channel to another number. You may have to add a low pass filter to remove the cable company noise. If the filter does not work, try adding a DC-block to remove common mode interference.

Herringbone interference on many channels, including modulated channel (disappears when you remove the CATV/antenna feed): The RF amplifier can be overloaded by abnormally strong signals. Often, you can cure the problem with a simple attenuator. Use a variable attenuator and try to find a signal level where the interference just disappears. Sometimes, the problem is one station is far stronger than the rest. In this case, attenuating all of the signals with a simple attenuator may cause the desired stations to be weak (snowy). You must reduce the strength of the only offending station. A common FM trap will help if the problem is a nearby FM tower. If the problem is a nearby TV station, often the station management can provide suitable filters.

Audio volume is low ... The left and right audio inputs are combined for monaural. For proper audio level, both right and left inputs must be used. If you have a mono source, connect it to both right and left inputs using an RCA 'Y' connector.

No color on ChannelPlus channels ... You may have chosen the incorrect cable standard. Not all televisions can accommodate the 1.25MHz frequency difference between the H and I cable standards. See the section on programming.

The H881 modulator combiner hub work like a zero-loss combiner. The modulated signals you put on the inputs will appear on the outputs with about 1dB of gain. When the output of the H881 is connected to one of the modulator inputs of the H838, signals will automatically appear on the outputs of the H838 at an FCC legal level.

Note: The H881 does not pass IR information. To control a modulator from a remote location, use a modulator with IR control such as the H564 and connect to the B+pwr input of the H838.

Specifications: typical @ 25°C ± 5° C

Number of modulator inputs	8
Gain, modulator input to output	~1dB
Bandwidth	400-860MHz
Nominal modulator input level	25dBmV
Maximum number of modulated channels	16
Power supply (370-086 included)	15 VDC @ 300mA

