



USA & Canada (800) 421-1587 & (800) 392-0123  
(760) 438-7000 - Toll Free FAX (800) 468-1340  
www.linearcorp.com

# IEI PowerKey AC<sup>®</sup> Machinery Access Control System Model 110v



**GENERAL SPECIFICATION:** The IEI PowerKey AC 110v Machinery Access Control System is an indoor unit designed to limit access to power devices only to authorized users. Up to 99 users may be programmed with a 1-6 digit code. The PowerKey AC 110V is wired for 110 VAC devices only. Both sensed and unsensed switching is available. This will allow, for example, wiring both a saw (sensed) and a blower (unsensed) to the PowerKey AC. The saw and the blower will turn on simultaneously when a valid code is entered. The saw may be started and stopped over and over again using the trigger or switch on the saw. Each time the saw is turned off the PowerKey AC will sense that the device is not being used and an **Auto Shut-Off Timer** will start. If the saw is started once again the timer will reset. If the saw is not used again and the timer runs out, the PowerKey AC will turn off power to both the saw and blower. To again allow power to the saw and to start the blower, re-enter a valid code.

**POWER RATINGS:** The PowerKey AC can control a maximum of 20 AMPS or up to a 1 ½ HP motor. Exceeding these ratings will cause permanent damage to the PowerKey AC. The current sensor within the device can detect loads over .150 amps and up to 20 amps. If the PowerKey AC senses more than 20 amps through the red wire (due to a possible overload of the motor), the unit will automatically shut down and the red and green LED's will flash alternately indicating an overload condition.

**WEATHER RATING:** The PowerKey AC is for indoor use only and should not be mounted outdoors.

**TEMPERATURE RANGE:** -20°F to 130°F, -28°C to 54°C

**AUTO SHUT-OFF TIMER:** When a proper code followed by the \* key is entered, the power will be turned on to both the sensed and unsensed device(s). Power will stay on as long as the sensed device is being used. After the sensed device is turned off, the PowerKey AC senses the device is no longer drawing power (not being used) and the Auto Shut-Off Timer starts. As a warning that the timer is about to run out, the PowerKey AC will flash green for the last 10 seconds of the timer. After the timer completely elapses (programmable from 10-990 seconds), the PowerKey AC will turn off the power to the controlled device(s). A valid code must be entered to turn power on again. Power to the controlled device is on when the green LED is on solid or flashing. *Power may also be turned off manually by pressing and holding any key for ½ a second.*

**LOCKOUT CODE:** If there is some reason for which you do not want to let anyone operate the machinery being controlled, (such as a worn belt which needs replacing for example), you can enter a "LOCKOUT" code, which will disable all "NORMAL" user codes from operating the machinery. A flashing red LED will indicate this "LOCKOUT" condition. Enter a "LOCKOUT" code again to release the PowerKey AC from this condition.

**INSTALLATION STEPS:** The PowerKey AC unit should **ONLY** be installed by a licensed electrician.

1. Mount the PowerKey AC in an indoor location convenient to the device to be controlled.
2. Check the power rating of each device to be controlled. The total power of both the sensed or unsensed devices should not exceed 20 amps or 1 ½ horsepower.
3. Running a 110v line wiring coming to the PowerKey AC from the breaker panel is recommended.
4. Remove the outer cover of the PowerKey AC by removing the 4 screws of the cover. This will reveal access to the wiring compartment of the PowerKey AC.

**IMPORTANT: Access to the electronics is not necessary for installation. Removal of the inside cover will void the warranty!**

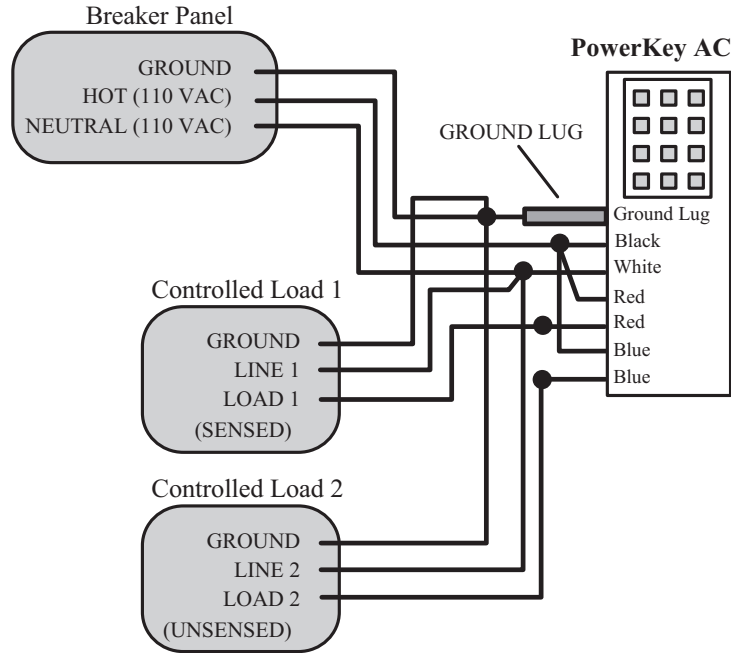
5. Connect (**Hot**) 110 VAC line wiring to **black** wire of PowerKey AC and to **one red** wire for sensed load. Also connect Hot of 110VAC to **one blue wire if needed** for the auxiliary unsensed load (e.g. a vacuum system).
6. Connect (**Neutral**) 110 VAC line wiring to the **white** wire of the PowerKey AC and to the **neutral load wire(s)** coming from the controlled equipment.
7. Connect the **load wire from the device** to be controlled to the **other red wire**. Connect the **load wire from the auxiliary device** to the **other blue wire**.
8. **IMPORTANT:** Connect the Ground to the lug inside the wiring compartment.

❑ **110 VAC POWER INPUT:**  
Black & White

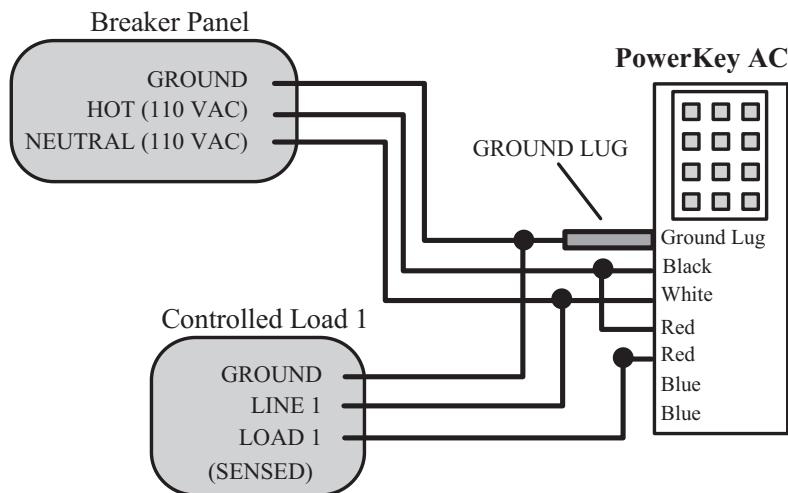
**Control Relay wiring:**

Red Line 1 Sensed  
 Red Load 1 Use this wire for the controlled machinery  
**Example:** a radial arm saw  
 This load is monitored.

Blue Line 2 Unsensed  
 Blue Load 2 Use this power for auxiliary  
**Example:** a sawdust vacuum system  
 This load is NOT monitored.



Wiring Diagram for PowerKey **with** an Auxiliary Device



Wiring Diagram for PowerKey **without** an Auxiliary Device



# IEI PowerKey AC Programming Guide

**Step 1.** Install the IEI PowerKey AC following installation instructions.

**Step 2.** Make a list of users and the code numbers you wish to assign to each of them. The codes may be 1 - 6 digits long. Users can be programmed with a "type" designation to perform different functions:

**Type 1** - A normal user which may start and operate the controlled equipment

**Type 3** - A lock out user code which prevents all Type 1 users from operating the equipment.

**Users List:**

User Number	Name	Code Number	Type
01	John Smith	5678	1
02	_____	_____	_____
03...99	_____	_____	_____

**Step 3.** Define the operating parameters of the controlled equipment. After a valid code is entered power is available to the saw (for example). The operator may start or stop the saw as necessary. A timer in the PowerKey AC starts each time the saw is stopped. If the saw is stopped for longer than the programmed time, the power will be turned off. The operator must reenter the code to use the saw again. Determine a time from 10-990 seconds that you think would be required for the operator to set up the saw between cuts.

**PROGRAMMING:**

Once you have prepared the information above you are ready to begin programming. To access the programming mode on the PowerKey AC, press the following sequence on the keypad: **99 # Master code \*** **The master code is always assigned to user #1.** This code comes from the factory as 1234. You should change this to your own number. To enter programming mode for a new unit press: **99 #1234\*** When the PowerKey AC is in programming mode, the Yellow LED flashes about once a second.

While you are in programming mode you may use the following command sequences to program functions. To exit programming mode press the \* key several times or wait 45 seconds and the unit will return to normal automatically.

Function:	Programming Command:
Enter (or change) user	50 # Type (1 or 3) # User Number (01-99) # code * repeat code *
Delete user	50 # Type (1 or 3) # User Number (01-99) # * *
Set shut off time <i>(Default shut off time is 15 seconds)</i>	85 # Time (10-990) # 0 # * *
Clear memory/Reset Defaults	46 # 00000 # 00000 # * *

The Yellow LED will flash fast after you enter a new code number and go back to slow flash on repeat entry. A steady Yellow indicates a mistake. Press \* to go back to programming.

**Normal Operation:**

<u>EVENT</u>	<u>ACTION</u>	<u>LED STATUS</u>
To turn on power	Enter Code number and * key	Led turns from Red to Green
To turn off power	Press and hold any key or keys	Led turns from Green to Red
Automatic shut off	Controlled equipment turned off	Green LED on for programmed shut off time period LED flashes GREEN for last 10 seconds Then power is off to equipment
To lock out users:	Enter lock out code (see above)	Then RED LED flashes
To unlock users:	Enter lock out user code again	LED returns to steady RED

## LINEAR LIMITED WARRANTY

This Linear product is warranted against defects in material and workmanship for twenty four (24) months. **This warranty extends only to wholesale customers** who buy direct from Linear or through Linear's normal distribution channels. Linear does not warrant this product to consumers. Consumers should inquire from their selling dealer as to the nature of the dealer's warranty, if any. **There are no obligations or liabilities on the part of Linear LLC for consequential damages arising out of or in connection with use or performance of this product or other indirect damages with respect to loss of property, revenue, or profit, or cost of removal, installation, or reinstallation.** All implied warranties, including implied warranties for merchantability and implied warranties for fitness, are valid only until the warranty expires. **This Linear LLC Warranty is in lieu of all other warranties express or implied.**

All products returned for warranty service require a Return Product Authorization Number (RPA#). Contact Linear Technical Services at 1-800-421-1587 for an RPA# and other important details.



**Linear**<sup>®</sup>  
*Building On Innovation.*

USA & Canada (800) 421-1587 & (800) 392-0123  
(760) 438-7000 - Toll Free FAX (800) 468-1340

[www.linearcorp.com](http://www.linearcorp.com)