

# VB-4B

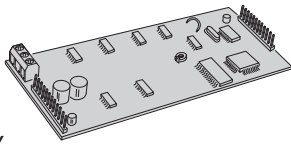
## AUDIO MODULE

For Use With  
**PERS-2400B**  
Personal Emergency  
Reporting System

## Installation Instructions

**Linear**  
Building On Innovation.

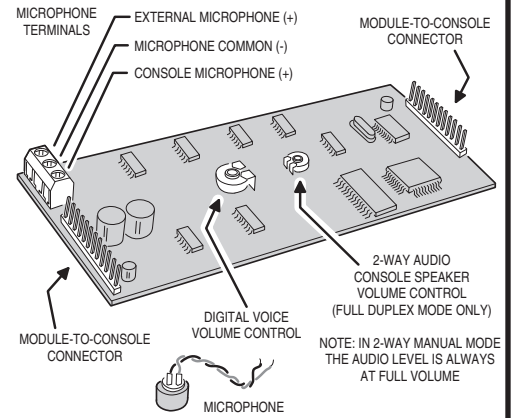
USA & Canada (800) 421-1587 & (800) 392-0123  
(760) 438-7000 - Toll Free FAX (800) 468-1340  
www.linearcorp.com



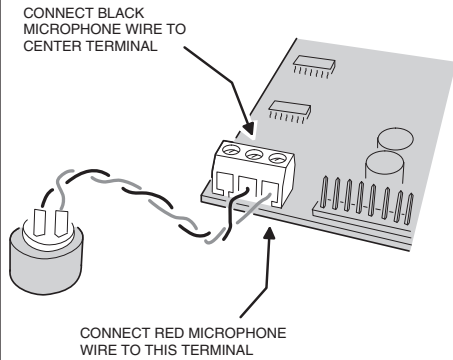
### PRODUCT DESCRIPTION

The VB-4B Audio Module is designed as an add-on accessory for the PERS-2400B Personal Emergency Reporting System Consoles. The module plugs directly into the Console's circuit board connectors. A digitally synthesized human voice produced by the VB-4B module announces important system information through the Console's speaker. The volume control adjusts the voice level. The VB-4B features 2-way audio (manual and full duplex) and audio listen-only capabilities for Central Station monitoring. The small microphone supplied fits into the Console's case. The module's high-gain amplifier allows the Central Station to monitor the sounds in the installation after an alarm. In 2-way full duplex mode, the Central Station operator can talk back to the subscriber through the Console's speaker. In 2-way manual mode the Central Station operator can control the direction of the 2-way communications using a pushbutton telephone. The Model RSM-1 Remote Speaker/Microphone can also be used with the VB-4B to increase its audio coverage area.

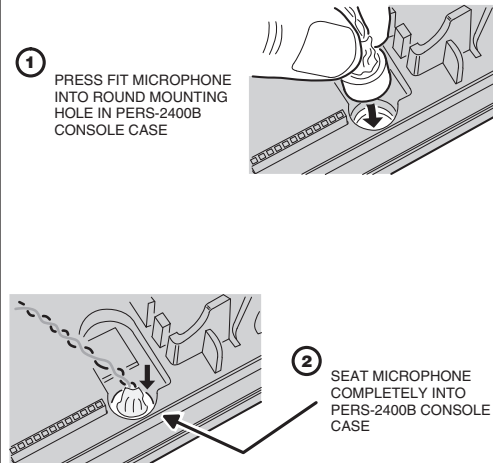
### 1. COMPONENT LOCATIONS



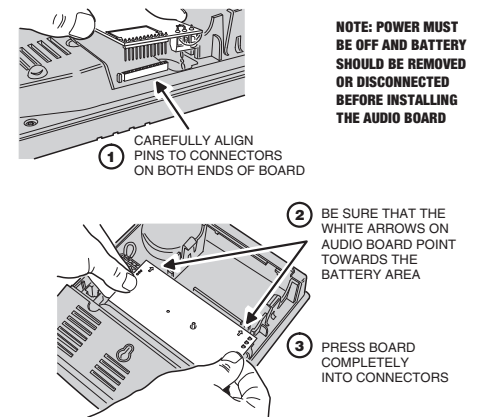
### 2. CONNECT MICROPHONE



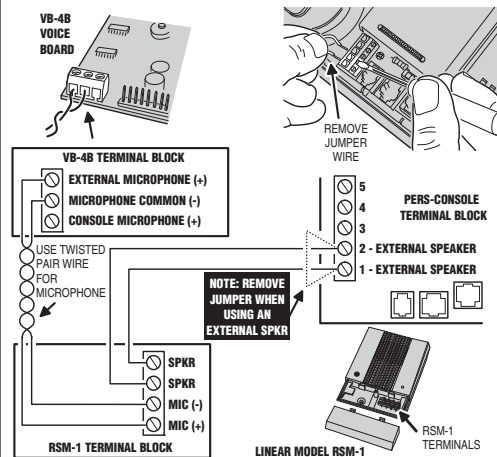
### 3. MOUNT MICROPHONE IN CONSOLE



### 4. PLUG MODULE INTO CONSOLE

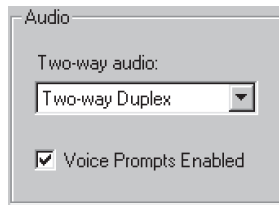


### 5. REMOTE SPEAKER & MICROPHONE



### 6. CENTRAL STATION AUDIO

PROGRAM THE CONSOLE FOR THE DESIRED AUDIO MODE



AFTER THE ALARM REPORT IS SENT, THE CONSOLE WILL SWITCH TO THE PROGRAMMED AUDIO MODE FOR 90 SECONDS

**CENTRAL STATION OPERATOR:**  
USE THESE KEYS ON A TELEPHONE SET CONNECTED TO THE COMMUNICATOR LINE TO CONTROL THE AUDIO MODULE

- ALL AUDIO MODES { **9** (WXYZ) PRESS "9" TO DISCONNECT THE CALL
- 2-WAY MANUAL AUDIO MODE { **3** (DEF) PRESS "3" TO LISTEN
- { **1** (1) PRESS "1" TO TALK

THE "1" AND "3" KEYS ARE NOT USED IN LISTEN-ONLY AUDIO MODE  
THE "1" AND "3" KEYS CAN BE USED IN FULL DUPLEX MODE, ALTHOUGH THE MODULE WILL SWITCH TO 2-WAY MANUAL MODE UNTIL THE NEXT CALL

**PRESSING ANY OTHER KEY WILL EXTEND THE AUDIO TIME 90 SECONDS**

### LINEAR LIMITED WARRANTY

This Linear product is warranted against defects in material and workmanship for twelve (12) months. **This warranty extends only to wholesale customers** who buy direct from Linear or through Linear's normal distribution channels. **Linear does not warrant this product to consumers.** Consumers should inquire from their selling dealer as to the nature of the dealer's warranty, if any. **There are no obligations or liabilities on the part of Linear LLC for consequential damages arising out of or in connection with use or performance of this product or other indirect damages with respect to loss of property, revenue, or profit, or cost of removal, installation, or reinstallation.** All implied warranties, including implied warranties for merchantability and implied warranties for fitness, are valid only until the warranty expires. **This Linear LLC Warranty is in lieu of all other warranties express or implied.**

### SERVICE INFORMATION

All products returned for warranty service require a Return Product Authorization Number (RPA#). Contact Linear Technical Service at 1-800-421-1587 for an RPA# and other important details.

### IMPORTANT!!!

Linear radio controls provide a reliable communications link and fill an important need in portable wireless signalling. However, there are some limitations which must be observed.

- For U.S. installations only: The radios are required to comply with FCC Rules and Regulations as Part 15 devices. As such, they have limited transmitter power and therefore limited range.
- A receiver cannot respond to more than one transmitted signal at a time and may be blocked by radio signals that occur on or near their operating frequencies, regardless of code settings.
- Changes or modifications to the device may void FCC compliance.
- Infrequently used radio links should be tested regularly to protect against undetected interference or fault.
- A general knowledge of radio and its vagaries should be gained prior to acting as a wholesale distributor or dealer, and these facts should be communicated to the ultimate users.